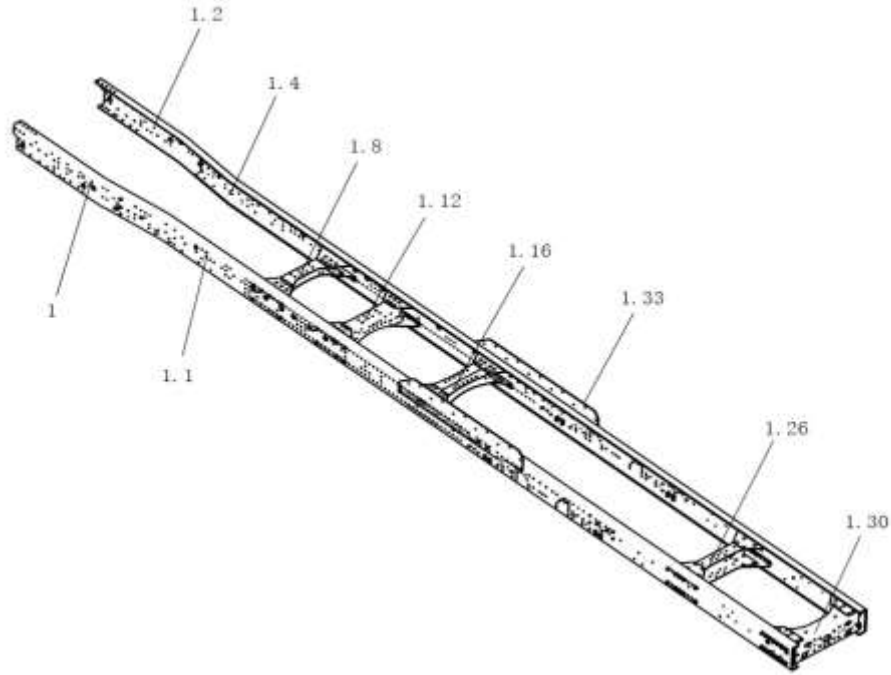


9 车架和其它/Chassis Frame Ass and Others

序号/ No.	名 称 / Designation		页 码 / Page No.
9,01	车架总成/Chassis Frame Ass.	-----	1
9,02	车轮与轮胎/Wheel And Tire	-----	2
9,03	后置备胎架/Prepare Wheel Frame	-----	3
9,04	牵引钩/Towing Hook	-----	4
9,05	尾灯支架总成/Taillight Bracket	-----	5

9.01 车架总成/Chassis Frame Assembly



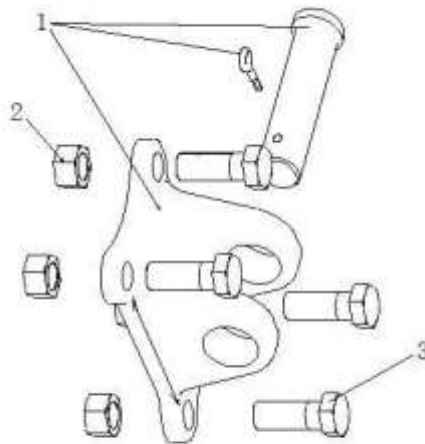
9.01 车架总成/Chassis Frame Assembly

序号	零部件图号	名称	Part Name	数量	备注
No.	Part No.			Qty	Remark
1	AZ9729514600 AZ9729514600	车架总成 1	Frame assembly 1	1	
1.1	WG9729514601 WG9729514601	车架左纵梁 2	Frame left longitudinal beam 2	1	
1.2	WG9729514602 WG9729514602	车架右纵梁 5	Right side frame of frame 5	1	
1.3	WG9729514603 WG9729514603	车架左加强梁 8	Frame left reinforcing beam 8	1	
1.4	WG9729514604 WG9729514604	车架右加强梁 9	Frame right reinforcement beam 9	1	
1.5	Q150B1635 Q150B1635	六角头螺栓 12	Hex head bolt 12	4	
1.6	Q33216 Q33216	自锁螺母 13	Self-locking nut 13	4	
1.7	Q4501438 Q4501438	半圆头铆钉 14	Round head rivets 14	2	
1.8	WG9729510000 WG9729510000	横梁总成(8+8/第一横梁) 1	Beam assembly (8+8/first beam) 15	1	
1.9	ZQ1811445TF2 ZQ1811445TF2	六角法兰面带齿螺栓M14	Hexagon flange bolts with teeth M14*1.5 32	12	
1.10	ZQ32514T13F2 ZQ32514T13F2	六角法兰面带齿螺母M14	Hexagon flange toothed nut M14*1.5 33	12	
1.11	Q4501444 Q4501444	半圆头铆钉 34	Round head rivets 34	16	

1.12	WG9729510050 WG9729510050	横梁总成(8+8/普通横梁) 35	Beam assembly (8+8/common beam) 35	1
1.13	ZQ1811445TF2 ZQ1811445TF2	六角法兰面带齿螺栓M14	Hexagon flange bolts with teeth M14*1.5 49	12
1.14	ZQ32514T13F2 ZQ32514T13F2	六角法兰面带齿螺母M14	Hexagon flange toothed nut M14*1.5 50	12
1.15	Q4501446 Q4501446	半圆头铆钉 51	Round head rivets 51	19
1.16	WG9729510060 WG9729510010	黄梁总成(8+8/背靠背)	Beam assembly (8+8/back- to-back beam) 52	
1.17	ZQ1811445TF2 ZQ1811445TF2	六角法兰面带齿螺栓	Hexagon flange bolts with teeth M14*1.5 64	
1.18	ZQ32514T13F2 ZQ1811450TF2	六角法兰面带齿螺栓	Hexagon flange bolts with teeth M14*1.5 65	
1.19	ZQ32514T13F2	六角法兰面带齿螺母	Hexagon flange toothed nut M14*1.5 66	
1.20	Q4501446	半圆头铆钉 67	Round head rivets 67	
1.21	Q4501455	半圆头铆钉(ML10) 68	Round head rivets (ML10) 68	
1.22	WG99255132	黄梁总成(铸造横梁/8	Beam assembly (cast beam/8+8) 69	
1.23	Q4501244	半圆头铆钉 96	Round head rivets 96	
1.24	ZQ151B1445	六角头螺栓M14*1.5 97	Hexagon head bolt M14*1.5 97	
1.25	ZQ361B14T13F2	型六角螺母M14*1.5	Type 2 hexagon nut M14*1.5	
1.26	WG9729510060	横梁总成(8+8/铸造横梁后	Beam assembly (8+8/after casting beam) 99	1
1.27	ZQ1811445TF2	六角法兰面带齿螺栓M14	Hexagon flange bolts with teeth M14*1.5 113	16
1.28	ZQ32514T13F2	六角法兰面带齿螺母M14	Hexagon flange toothed nut M14*1.5 114	16
1.29	Q4501444 Q4501444	半圆头铆钉 115	Round head rivets 115	16
1.30	WG9729510040 WG9729510040	后横梁总成(8+8/300车架尾	(8+8/300 frame tail beam) 116	1
1.31	ZQ1811445TF2 ZQ1811445TF2	六角法兰面带齿螺栓M14	Hexagon flange bolts with teeth M14*1.5 132	28
1.32	ZQ32514T13F2 ZQ32514T13F2	六角法兰面带齿螺母M14	Hexagon flange toothed nut M14*1.5 133	28
1.33	712W41138-000 712W41138-0005	前支撑板 134	Front support plate 134	2
1.34	Q4501446 Q4501446	半圆头铆钉 140	Round head rivets 140	20
1.35	Q4501252 Q4501252	半圆头铆钉 141	Round head rivets 141	8
1.36	ZQ1811445TF2 ZQ1811445TF2	六角法兰面带齿螺栓M14	Hexagon flange bolts with teeth M14*1.5 142	4
1.37	ZQ32514T13F2 ZQ32514T13F2	六角法兰面带齿螺母M14	Hexagon flange toothed nut M14*1.5 143	4
1.38	ZQ151B1250TF ZQ151B1250TF2	六角头螺栓M12*1.25 144	Hexagon head bolt M12*1.25 144	4
1.39	ZQ361B12T13F ZQ361B12T13F2	型六角螺母M12*1.25 145	Type 2 hexagon nut M12*1.25 145	4

No.	Part No.	名称	Part Name	Qty	Remark
1	AZ9725860210	备胎架底板及传动装置总成	Spare tire frame floor and tr	1	
1,1	AZ9725860220	备轮架焊接总成	Prepare wheel frame weldin	1	
1,2	ZQ361B12	2型六角螺母M12*1.25	Hexagon nuts ,style 2	4	
1,3	Q40312	弹簧垫圈	Spring washer	4	
1,4	ZQ151B1235	六角头螺栓M12*1.25	Hexagon head bolts	4	
1,5	17017860020	备轮架传动装置	Prepare wheel frame transm	1	
2	Q5280632	弹性圆柱销	Pin	1	
3	162-3105038	备轮架摇柄	Rocking handle	1	
4	WG7600860041	备轮架摇臂轴固定套	Sleeve	1	
5	Q340B12	I型六角头螺母	Nut	4	
6	Q40312	弹簧垫圈	Spring washer	4	
7	Q40112	平垫圈	Washer	4	
8	Q150B1240	六角头螺栓	Bolt	4	
9	WG9003884160	车轮螺母	Wheel bolt	2	

9.04 半挂牵引车的牵引钩(TGA)/Towing Hook



9.04 半挂牵引车的牵引钩(TGA)/Towing Hook

序号	零部件图号	名称	Part Name	数量	备注
No.	Part No.			Qty	Remark

WG97295100

ZQ1811445T1

ZQ1811450T1

ZQ32514T13

Q4501446

Q4501455

WG99255132

Q4501244

ZQ151B1445

ZQ361B14T1

Q4501252